

LAVIN

LIGHT INNOVATION FOR A GREEN FUTURE

www.lavinlight.com



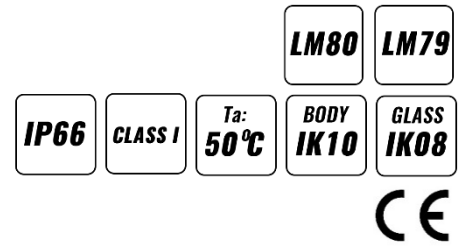
STADIUM SERIES LED Floodlights 500 - 1000W

Letlucent Enerji Tasarrufu ve Akıllı Yönetim A.Ş.

A.S.O. 1. OSB Ahi Evran Mah.
Anadolu Cad. No: 25/2
Sincan/ ANKARA
Tel : 0 312 267 56 57

info@lavinlight.com

REV. LVN-01/03.2025



General Features:

- Perfect Mold Design, Integrated Pressure Die-Casting Aluminum.
- Flat-Elegant Finless Design, Excellent Heat Dissipation.
- Light/Energy High Efficiency.
- SDCM (Standard Deviation Colour Matching) <5.
- Beam Angle; 7°- 15°- 30° - 60°- 90° - 120° -Type II-Type III
- 1-10V / DALI / D4i / Light Sensor / Smart Timer Dimming.
- LED Driver Thermal Protection.
- Electostatic Powder Coating.
- Paint Code RALXXXX, which can change according to customer request.
- IK10 Aluminum Body.
- IK08 4mm Tempered Glass.
- Ease of Installation.
- Pressure Balancing Valve that creates Airflow to eliminate moisture inside.
- Optional 10kV External SPD.
- Our products are Brand and Design Registered.

Applications :

- Stadium Lighting
- Soccer Fields Lighting
- Indoor Sports Facilities Lighting
- Airport Apron Lighting
- Ship Port Lighting
- Sport Field Lighting
- Bridge Lighting
- Warehouses and Stock Area Lighting
- Constraction Sites Lighting

Standards:

- EN 60598-1
- EN 60598-2-5
- EN 12193
- LM79
- LM80 & TM21
- CE





Technical Specifications:

Product Code	LVN-200-PRJ500STD	LVN-400-PRJ1000STD
Body Material	Integrated Pressure Die-Casting Aluminium	
Power	500W	1000W
Input Voltage Range	100-277V AC 50/60 Hz	
Power Factor	0,98	
THD	<4%	
Number of LED	200 High Power LED /5050 /3535	400 High Power LED /5050 /3535
Lumen	68130* Lm	136433* Lm
Colour Temperature	3000-4000-5000-6500K	
Colour Rendering Index(CRI)	70 Ra / 80 Ra / 90 Ra / TLCI	
LED (LM80) Life	L70B10@85°C > 102.000 Hours	
Operating Temperature	-30 / +50 °C	
Lighting Angle	7°- 15°- 30°- 60°- 90°- 120° - 30° x 90°	
IP Class	IP 66	
Insulation Class	CLASS I	
Front Section	4mm Tempered Glass	
Vertical Adjust Angle	0° - 135°	
Weight	10,1 kg	33 kg
Product Dimensions	377 x 531 x 129 mm	656 x 847 x 173
Warranty	3 / 5 years	

* Lumen values are given for 5000K & CRI 70



Angle Adjust.



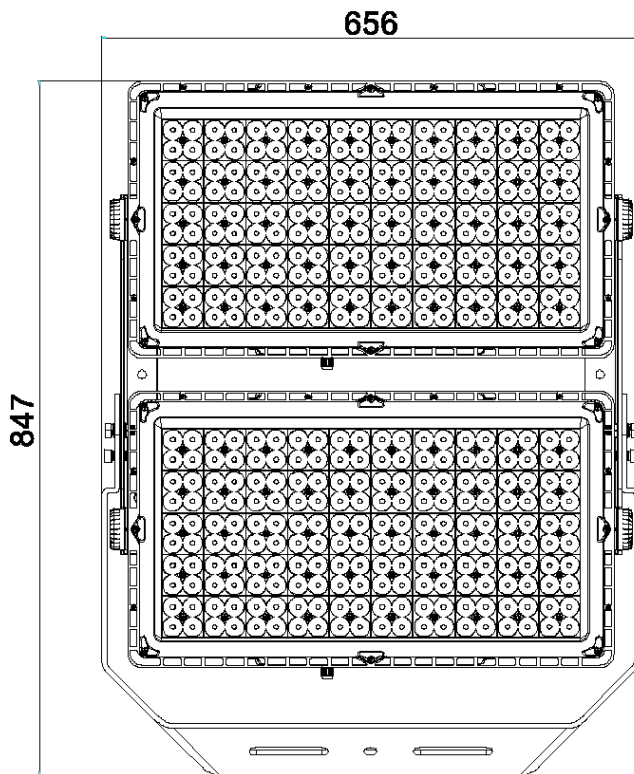
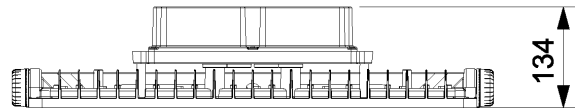
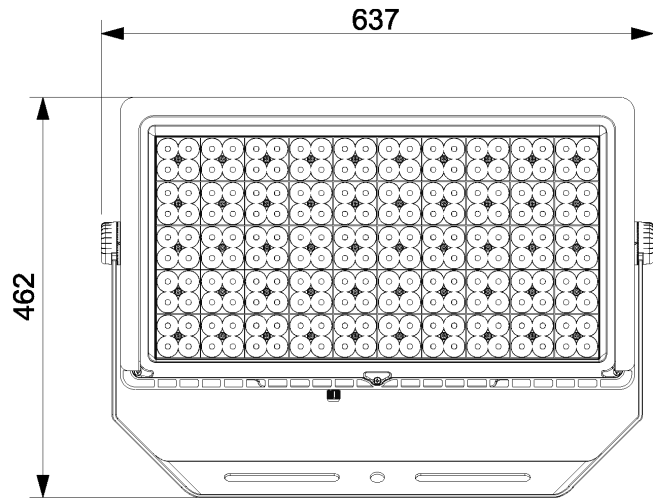
Pressure Compensating Valve



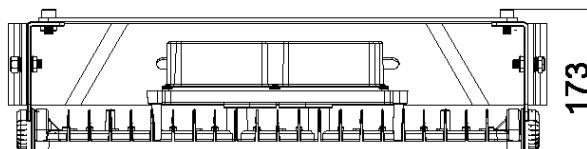
REV. LVN-01/03.2025

Mechanical Drawings:

500W

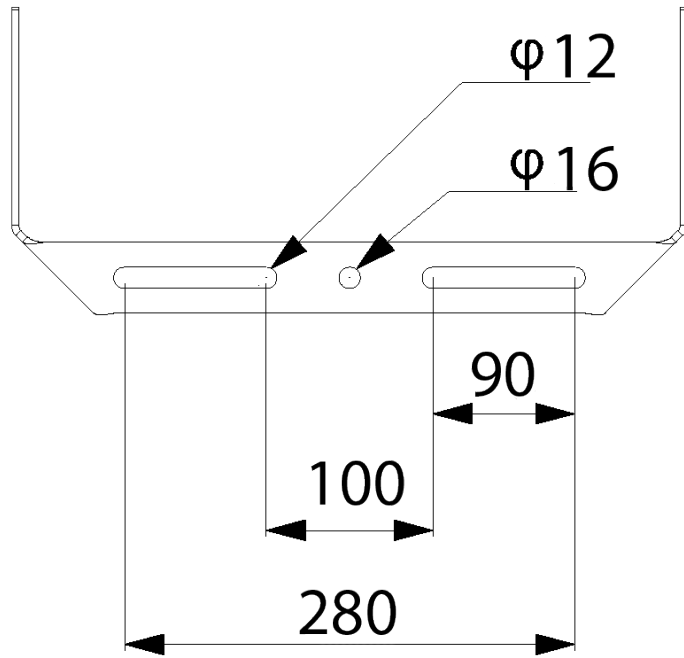


1000W

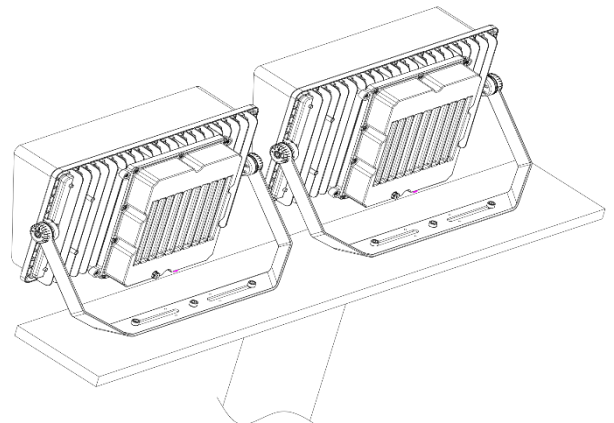
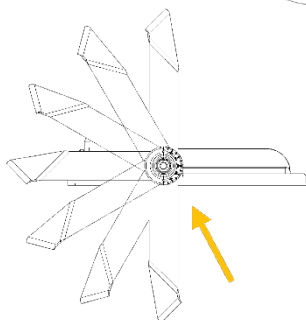
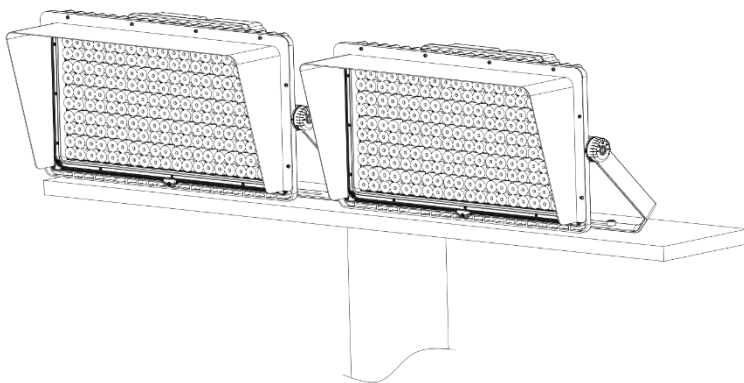


Bracket Dimensions:

LVN-200-PRJ500STD
LVN-400-PRJ1000STD

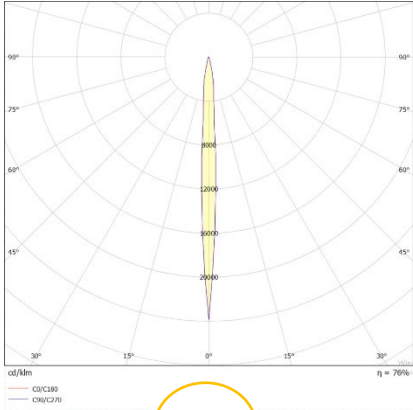


Installation Methods:

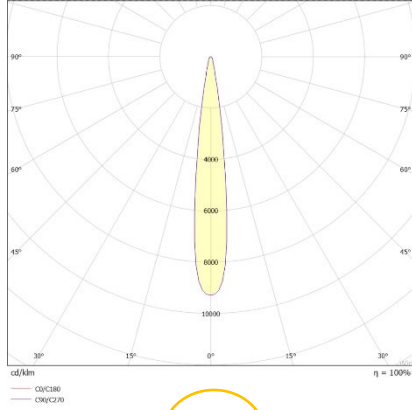


REV. LVN-01/03.2025

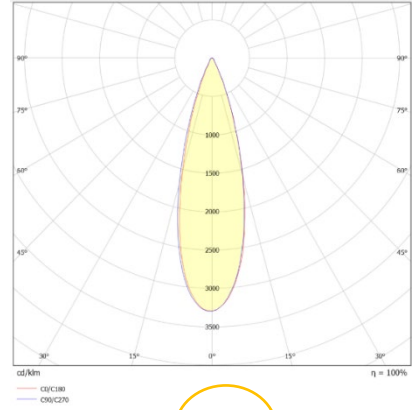
Distribution Curve illuminance Diagram:



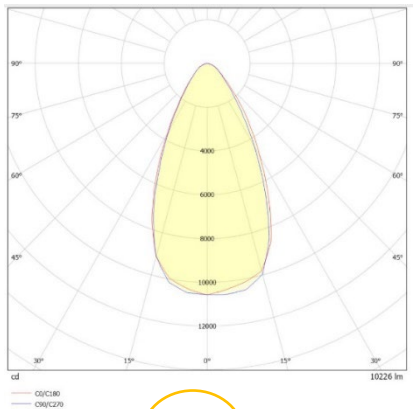
7°



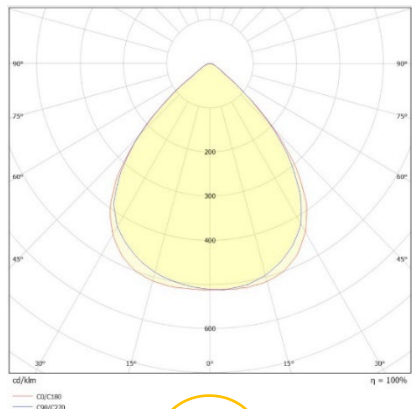
10°



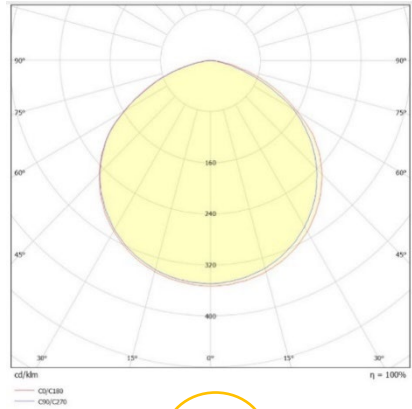
30°



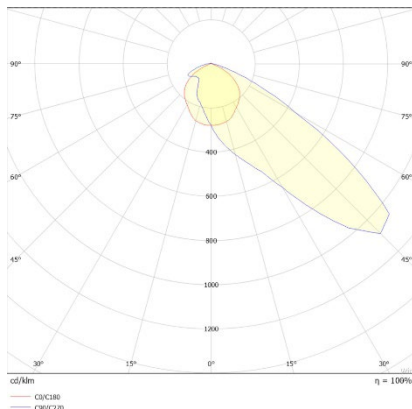
60°



90°

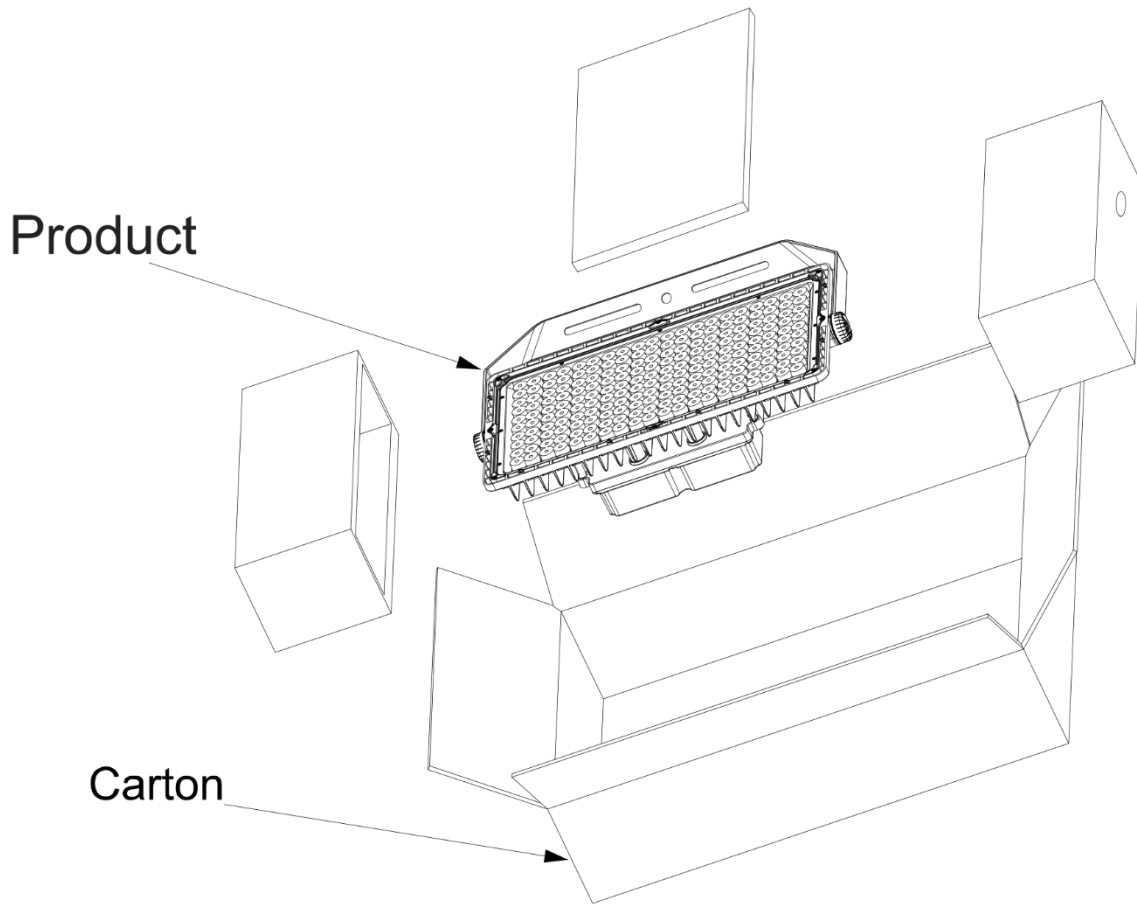


120°



Sport

Packing:



Visor :



LAVIN

LIGHT INNOVATION FOR A GREEN FUTURE

Contact :

Letlucent Enerji Tasarrufu ve Akıllı Yönetim A.Ş.



<https://www.lavinlight.com>



info@lavinlight.com



Phone : +90 312 267 56 57



A.S.O. 1. OSB Ahi Evran Mah. Anadolu Cad. No: 25/2
Sincan/ ANKARA /TÜRKİYE

