

LAVIN

LIGHT INNOVATION FOR A GREEN FUTURE



SOFT SERIES

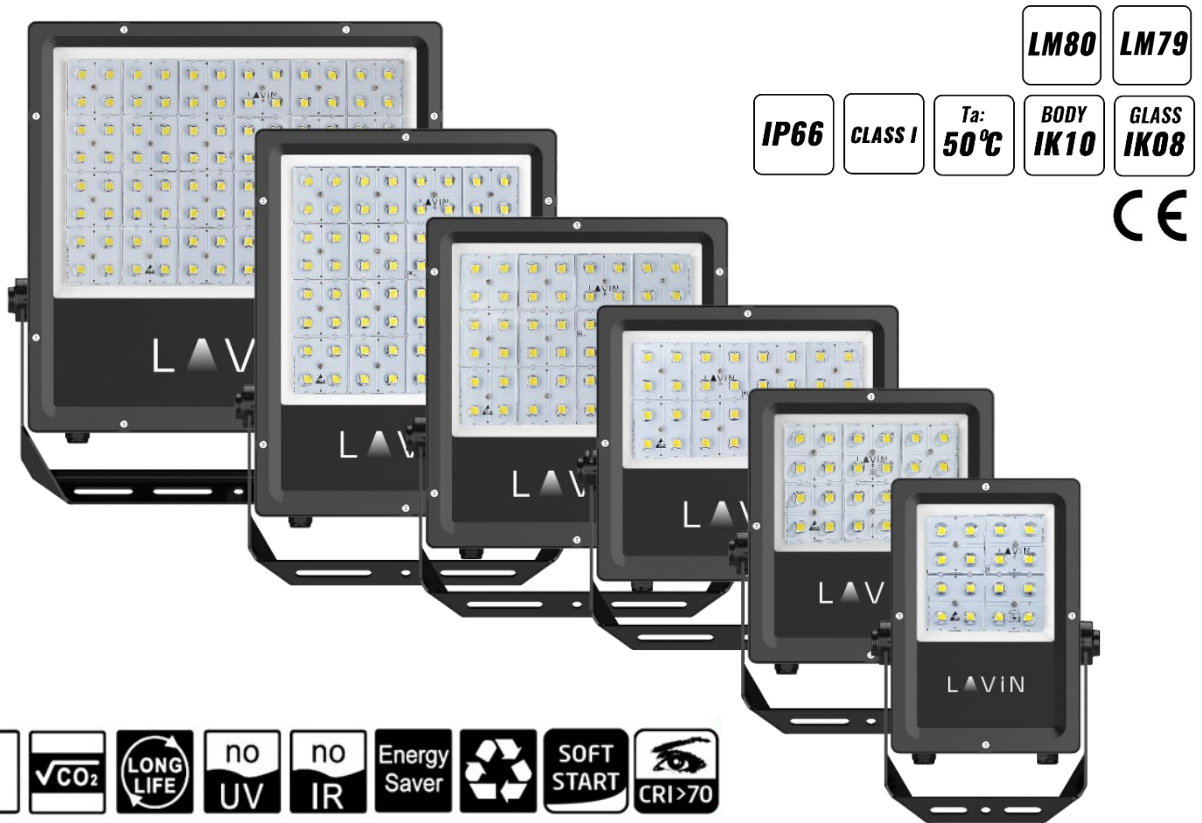
LED Floodlight 40 - 200W

Letlucent Enerji Tasarrufu ve
Akıllı Yönetim A.Ş.

A.S.O. 1. OSB Ahi Evran Mah.
Anadolu Cad. No: 25/2
Sincan/ ANKARA

E-mail : info@lavinlight.com

REV. LVN-01/09.2024



General Features :

- Perfect Mold Design, Integrated Pressure Die-Casting Aluminum.
- Flat-Elegant Finless Design, Excellent Heat Dissipation.
- Light/Energy High Efficiency.
- SDCM (Standard Deviation Colour Matching) <5.
- Beam Angle ; 30° - 45° - 60° - 90°-Type II-Type III
- 1-10V / DALI / D4i / Light Sensor / Smart Timer Dimming.
- LED Driver Thermal Protection.
- Electostatic Powder Coating.
- Paint Code RALXXXX, which can change according to customer request.
- IK10 Aluminum Body.
- IK08 Tempered Glass.
- Ease of Installation.
- Pressure Balancing Valve that creates Airflow to eliminate moisture inside.
- Optional 10kV External SPD.
- Our products are Brand and Design Registered.

Applications :

- Building Lighting
- Factory Lighting
- Billboard Lighting
- Wide Area Lighting
- Bridge Lighting
- Municipal Squares Lighting
- Construction Sites Lighting

Standards:

- EN 60598-1
- EN 60598-2-5
- CE

RAL 9005
RAL XXXX



Technical Specifications :

Product Code	LVN-60-PRJ40SFT-MP	LVN-24-PRJ60SFT
Body Material	Integrated Pressure Die-Casting Aluminium	
Power	40W	60W
Input Voltage Range	170-264V AC	100-277V AC 50/60Hz
Power Factor	0,96	0,97
THD	<8%	<4%
Number of LED	60 Middle Power LED 2835 Chip	24 High Power LED 5050 Chip
Lumen	5533 Lm	XXXX Lm
Colour Temperature	3000-4000-5000-6500K	
Colour Rendering Index(CRI)	70 Ra / 80 Ra Optional	
LED (LM80) Life	L70B10@85°C > 102.000 Hours	
Operating Temperature	-30 / +50 °C	
Lighting Angle	30°- 60°- 90° - 120° -Type II / Type III	
IP Class	IP 66	
Insulation Class	CLASS I	
Front Section	4mm Tempered Glass	
Vertical Adjust Angle	0° - 180°	
Weight	1,78 kg	2,1 kg
Product Dimensions	207 x 312 x 53 mm	258 x 312 x 53 mm
Warranty	3 / 5 years	

* Lumen values are given for 5000K & CRI 70.





Technical Specifications :

Product Code	LVN-32-PRJ80SFT	LVN-48-PRJ100SFT
Body Material	Integrated Pressure Die-Casting Aluminium	
Power	80W	100W
Input Voltage Range	100-277V AC 50/60Hz	
Power Factor	0,97	0,98
THD	<5%	<4%
Number of LED	32 High Power LED 5050 Chip	48 High Power LED 5050 Chip
Lumen	12251 Lm	15868 Lm
Colour Temperature	3000-4000-5000-6500K	
Colour Rendering Index(CRI)	70 Ra / 80 Ra Optional	
LED (LM80) Life	L70B10@85°C > 102.000 Hours	
Operating Temperature	-30 / +50 °C	
Lighting Angle	30°- 60°- 90°- 120°-Type II / Type III	
IP Class	IP 66	
Insulation Class	CLASS I	
Front Section	4mm Tempered Glass	
Vertical Adjust Angle	0° - 180°	
Weight	2,65 kg	3,38 kg
Product Dimensions	309 x 312 x 53 mm	309 x 362 x 53 mm
Warranty	3 / 5 years	

* Lumen values are given for 5000K & CRI 70.



REV. LVN-01/09.2024



Technical Specifications :

Product Code	LVN-64-PRJ150SFT	LVN-96-PRJ200SFT
Body Material	Integrated Pressure Die-Casting Aluminium	
Power	150W	200W
Input Voltage Range	100-277V AC 50/60Hz	
Power Factor	0,98	0,99
THD	<5%	<4%
Number of LED	64 High Power LED 5050 Chip	96 High Power LED 5050 Chip
Lumen	23258 Lm	30900 Lm
Colour Temperature	3000-4000-5000-6500K	
Colour Rendering Index(CRI)	70 Ra / 80 Ra Optional	
LED (LM80) Life	L70B10@85°C > 102.000 Hours	
Operating Temperature	-30 / +50 °C	
Lighting Angle	30°- 60°- 90° - 120°-Type II / Type III	
IP Class	IP 66	
Insulation Class	CLASS I	
Front Section	4mm Tempered Glass	
Vertical Adjust Angle	0° - 180°	
Weight	3,72 kg	5,80 kg
Product Dimensions	309 x 413 x 53 mm	411 x 437 x 61 mm
Warranty	3 / 5 years	

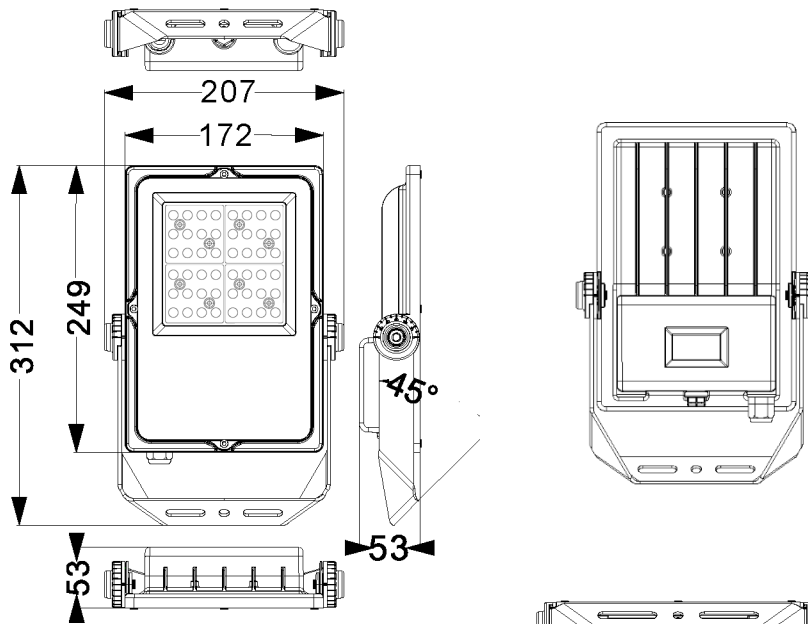
* Lumen values are given for 5000K & CRI 70.



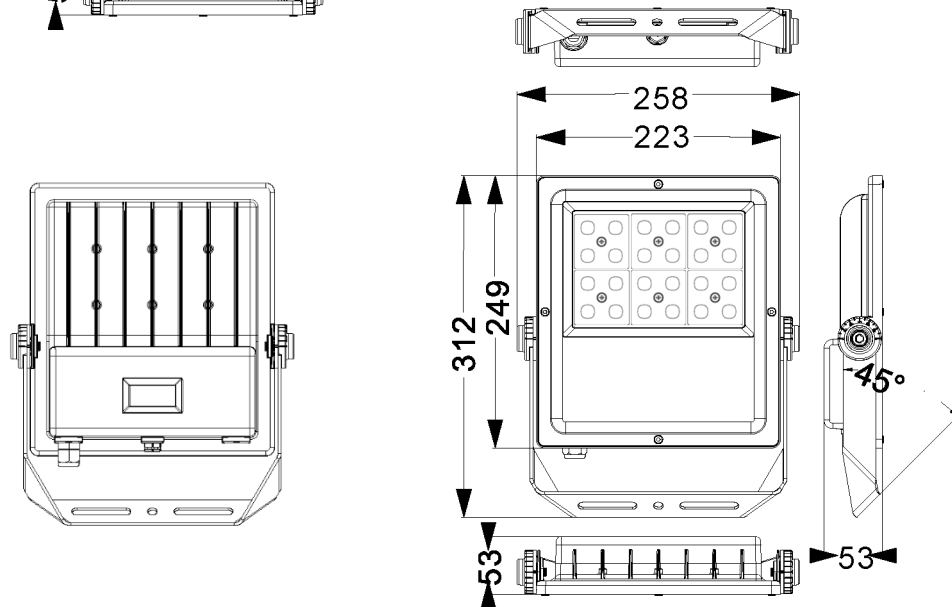
REV. LVN-01/09.2024

Mechanical Drawings:

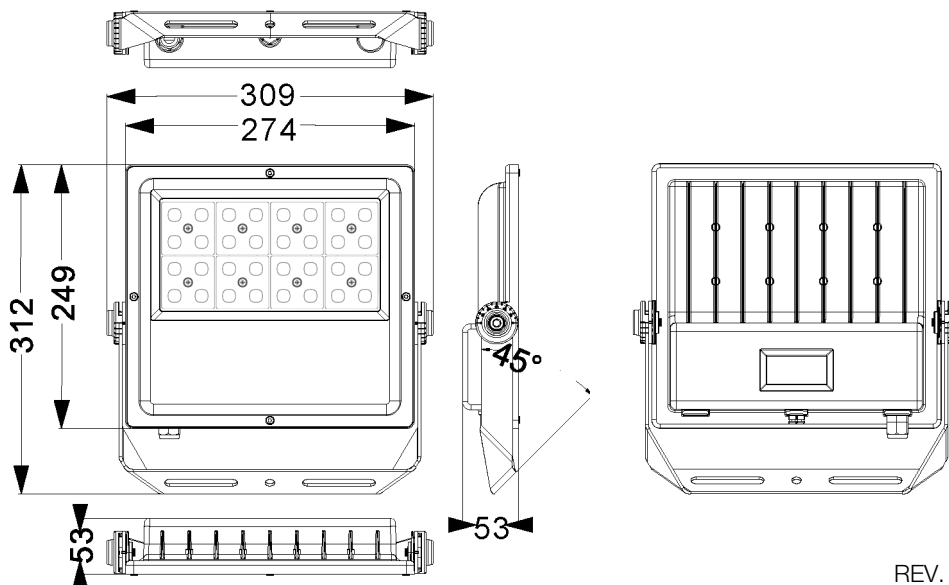
40W



60W

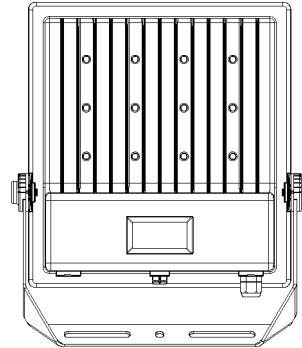
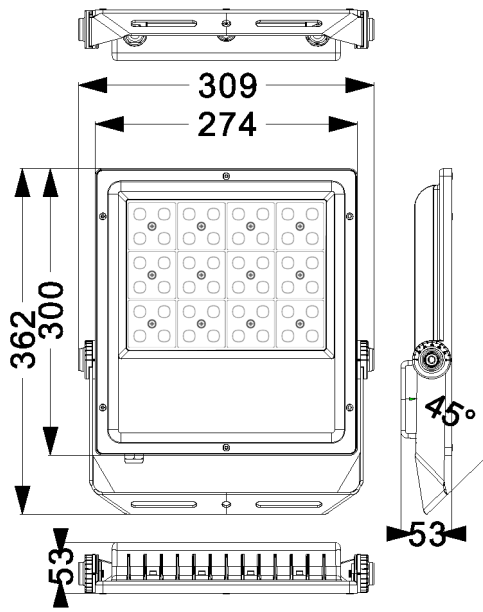


80W

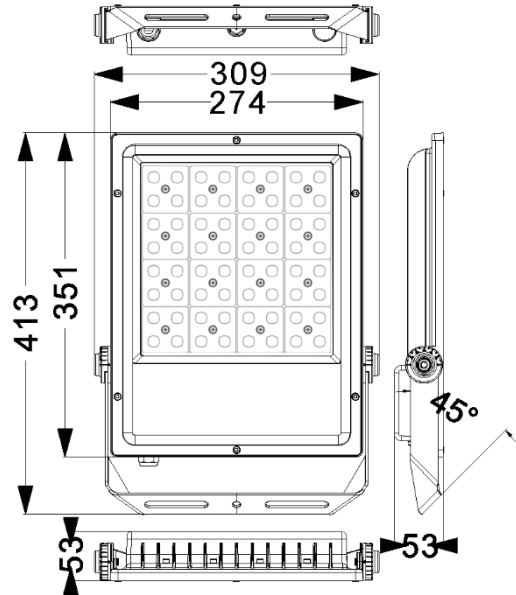
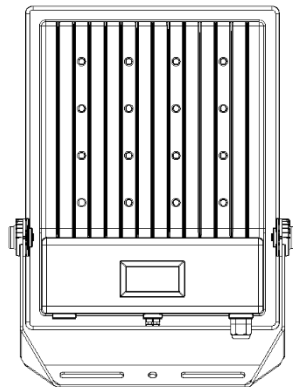


Mechanical Drawings:

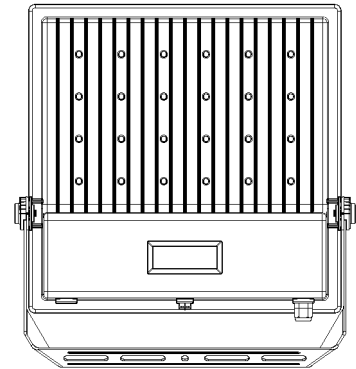
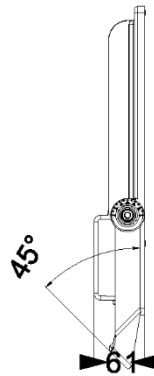
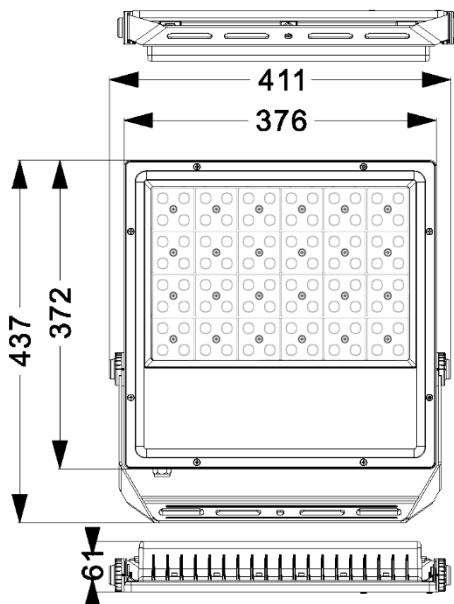
100W



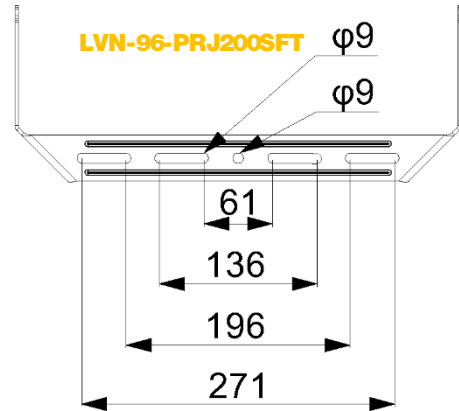
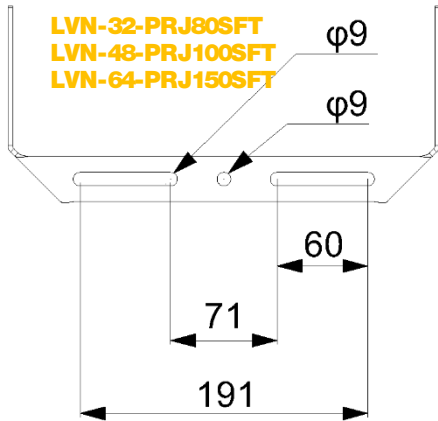
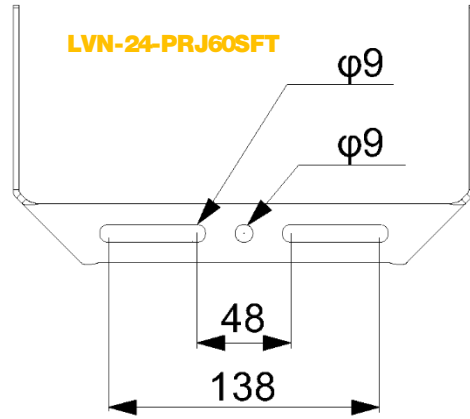
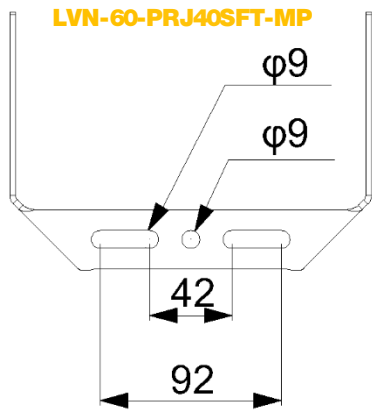
150W



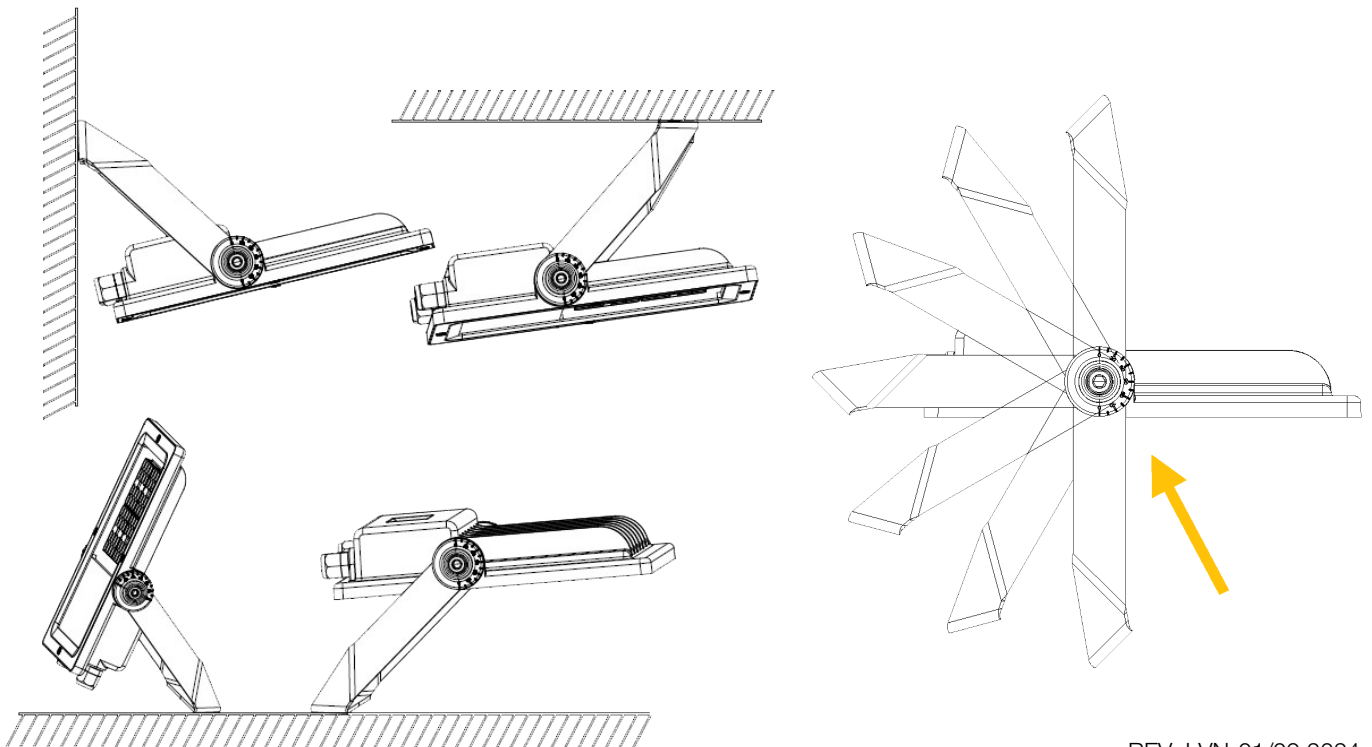
200W



Bracket Dimensions:



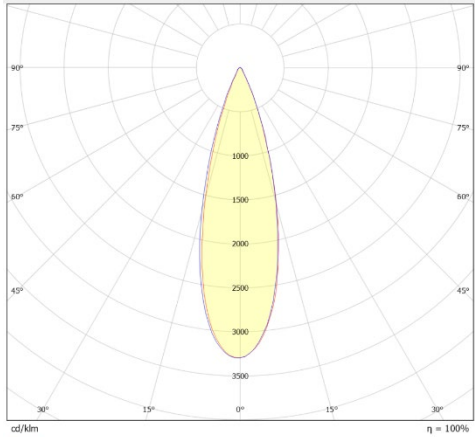
Installation Methods:



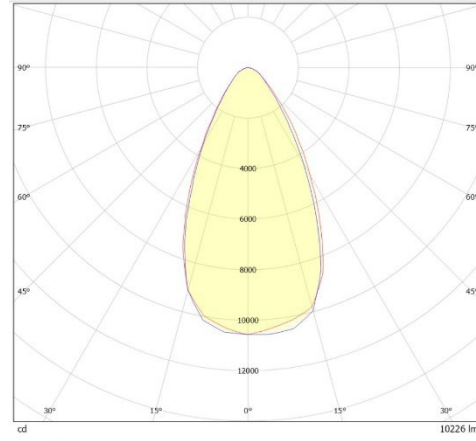
REV. LVN-01/09.2024

Distribution Curve illuminance Diagram :

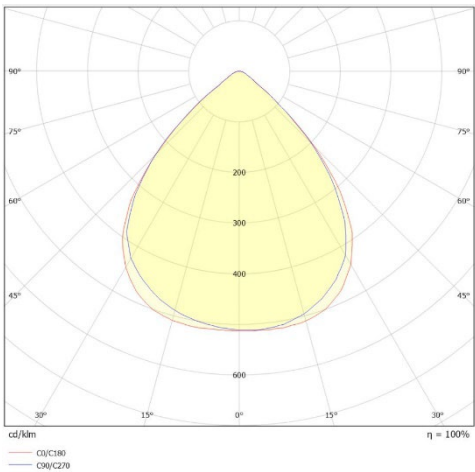
30°



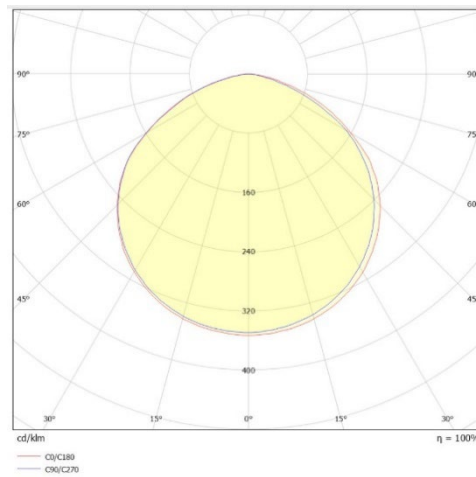
60°



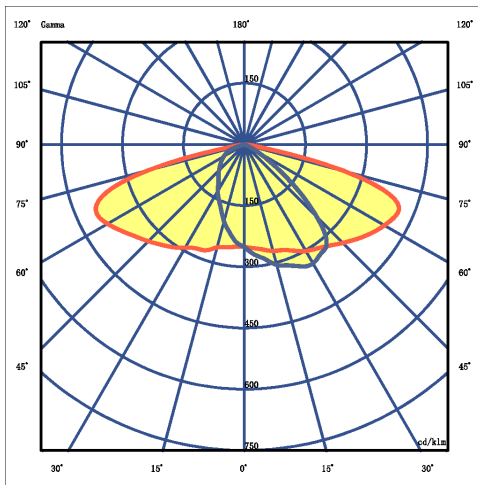
90°



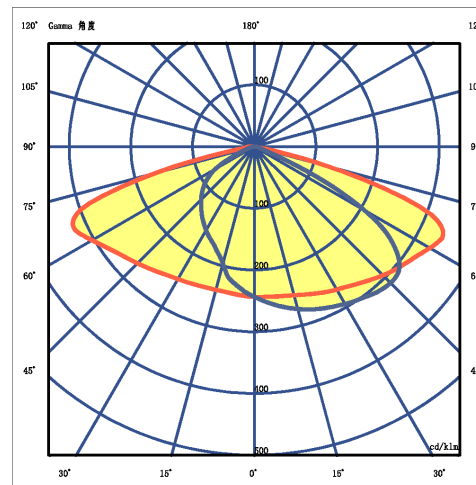
120°



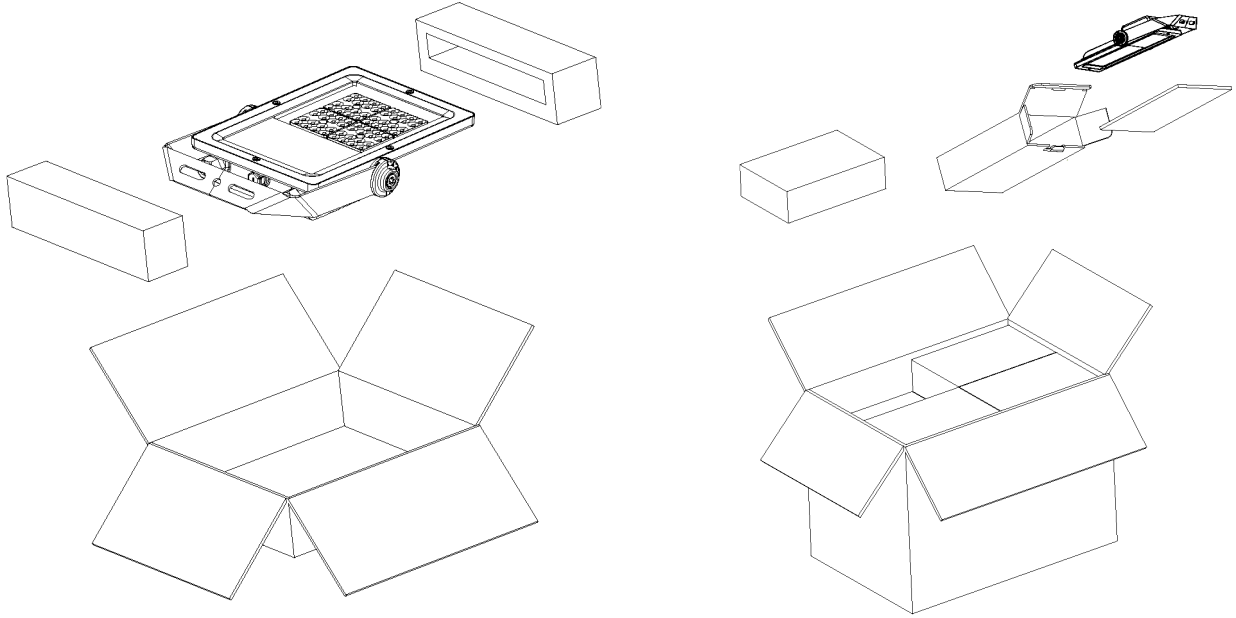
Type II



Type III



Packing:



LAVIN

LIGHT INNOVATION FOR A GREEN FUTURE

Contact :

Letlucent Enerji Tasarrufu ve Akıllı Yönetim A.Ş.



<https://www.lavinlight.com>



info@lavinlight.com



Phone : +90 312 267 56 57



A.S.O. 1. OSB Ahi Evran Mah. Anadolu Cad. No: 25/2
Sincan/ ANKARA /TÜRKİYE

