

LAVIN

LIGHT INNOVATION FOR A GREEN FUTURE



FLAT SERIES

170 - 200W LED Road & Street Lighting

Letlucent Enerji Tasarrufu ve
Akıllı Yönetim AŞ.

A.S.O. 1. OSB Ahi Evran Mah.
Anadolu Cad. No: 25/2
Sincan/ ANKARA

E-mail : info@lavinlight.com

www.lavinlight.com

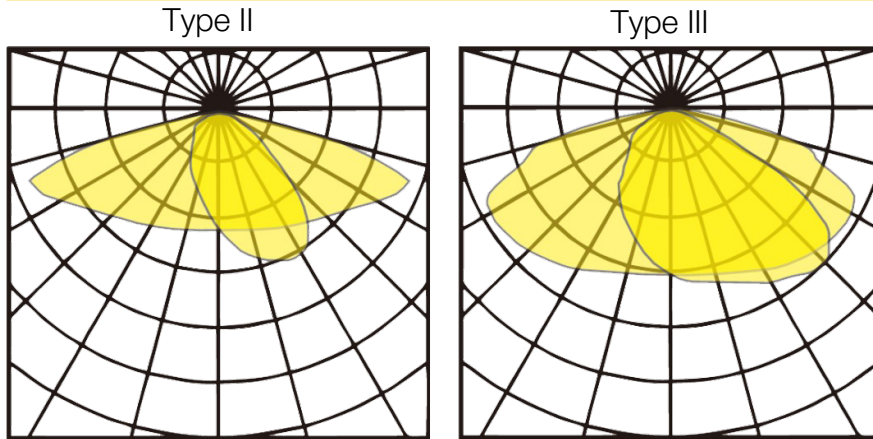
REV. LVN-02/08.2024



General Features :

- Perfect Mold Design, Integrated Pressure Die-Casting Aluminum.
- Flat-Elegant Finless Design, Excellent Heat Dissipation.
- Snap-On Type Installation, Tool - Free Disassembly.
- Light/Energy High Efficiency.
- SDCM (Standard Deviation Colour Matching) <5.
- Beam Angle ; Standart IESNA Type II or Type III.
- NEMA & ZHAGA Socket Ready Optional.
- 1-10V / DALI / D4i / Light Sensor / Smart Timer Dimming.
- LED Driver Thermal Protection.
- Electostatic Powder Coating.
- Paint Code RALXXXX, which can change according to customer request.
- IK10 Aluminum Body.
- IK08 Tempered Glass.
- Build-in Spirit Level , Ease of Installation.
- Pressure Balancing Valve that creates Airflow to eliminate moisture inside.
- Optional 10kV External SPD.

Photometric Lighting Curve :



Technical Specifications :

Product Code	LVN-96-SL170FLT	LVN-96-SL180FLT	LVN-96-SL200FLT
Body Material	Integrated Pressure Die-Casting Aluminium		
Power	170W	180W	200W
Input Voltage Range	100-277V AC 50/60Hz		
Power Factor	0,98	0,98	0,99
THD	<4%	<3%	<3%
Number of LED	96 High Power LED		
Lumen	25632 Lm	26808 Lm	29077 Lm
Colour Temperature	2200-3000-4000-5000K		
Colour Rendering Index(CRI)	70 Ra / 80 Ra Optional		
LED (LM80) Life	L70B10@85°C > 102.000 Hours		
Operating Temperature	-30 / +50 °C		
Lighting Curve	Type II / Type III Asymmetric		
IP Class	IP 66		
Insulation Class	CLASS I		
Front Section	4mm Tempered Glass		
Arm Diameter	40 - 60 mm		
Vertical Adjust Angle	0° - 5° - 10° - 15° - 90°		
Weight	8,5 kg		
Product Dimensions	300 x 793 x 109 mm		
Warranty	3 / 5 years		

* Lumen values are given for 4000K & CRI 70.

Applications :

- Roads and Street Lighting
- Highway Lighting
- Park & Garden Lighting
- Pedestrian Road Lighting
- Wide Area Lighting

Standards:

- ENEC
- CB
- EN 60598-1
- EN 60598-2-3
- EAC
- CE

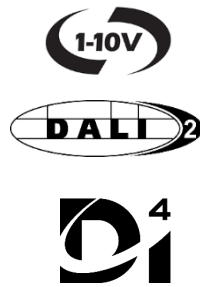
RAL 7035

RAL 7040

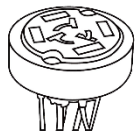
Smart Solutions in FLAT Series READY



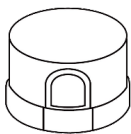
NEMA



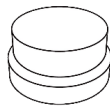
Zhaga



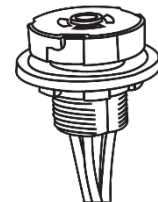
NEMA Socket
3 / 5 / 7 Pin



Photocell

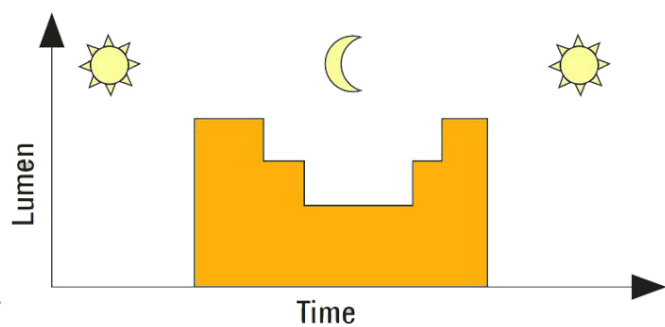


Shorting Cap



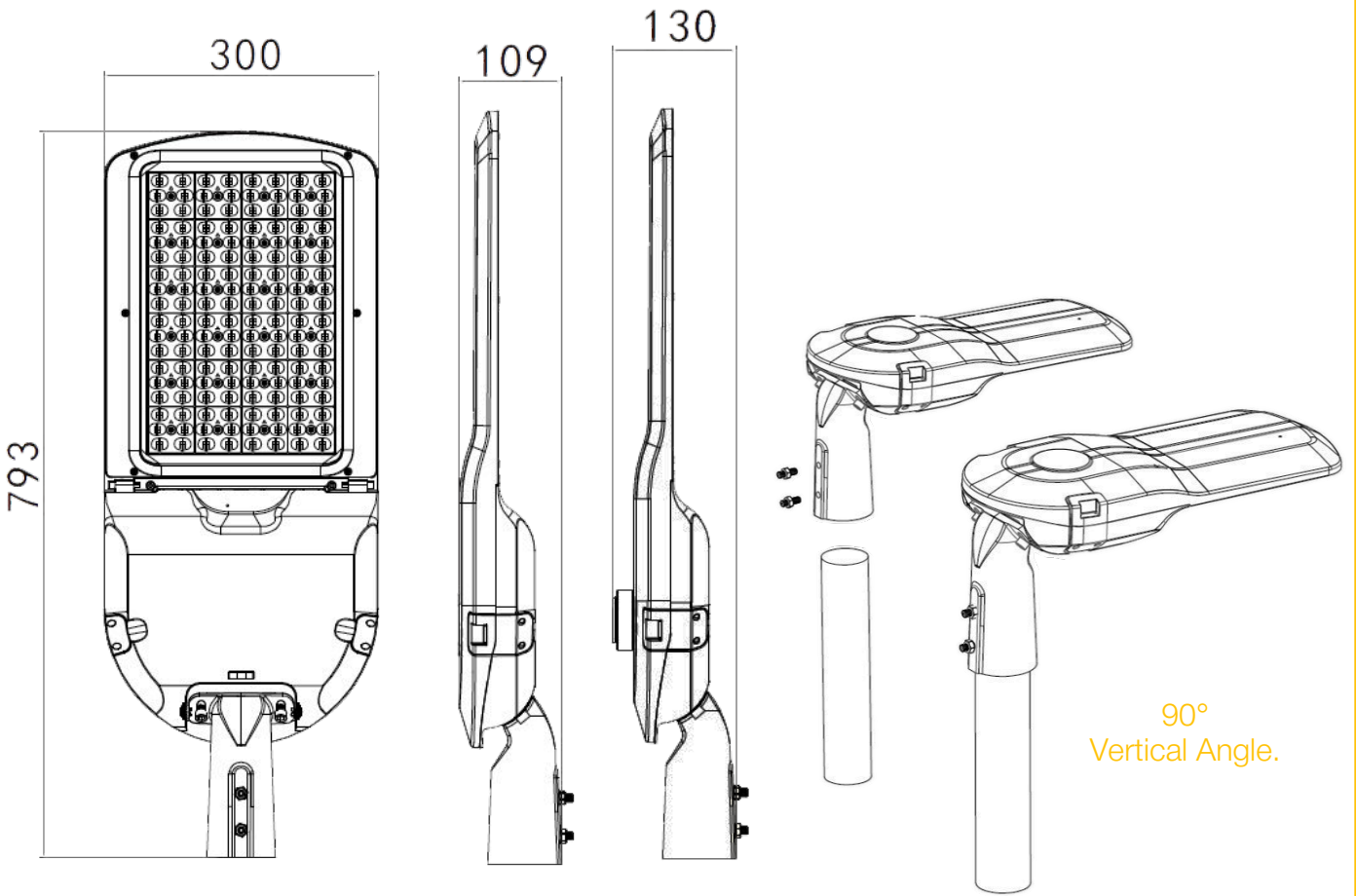
Importance of Smart Solutions :

- Full Integration with Smart City Applications.
- Lighting Management from a Single Center.
- Street Lights Fast Failure Detection.
- Reduced Maintenance Costs.
- Reduced Energy Consumption.
- High Energy Savings Against Continuously Rising Energy Unit Prices.
- Performance and energy-consumption data at your fingertips.
- Reducing CO2 emissions .
- Greater citizen satisfaction with safe areas provided with lighting.

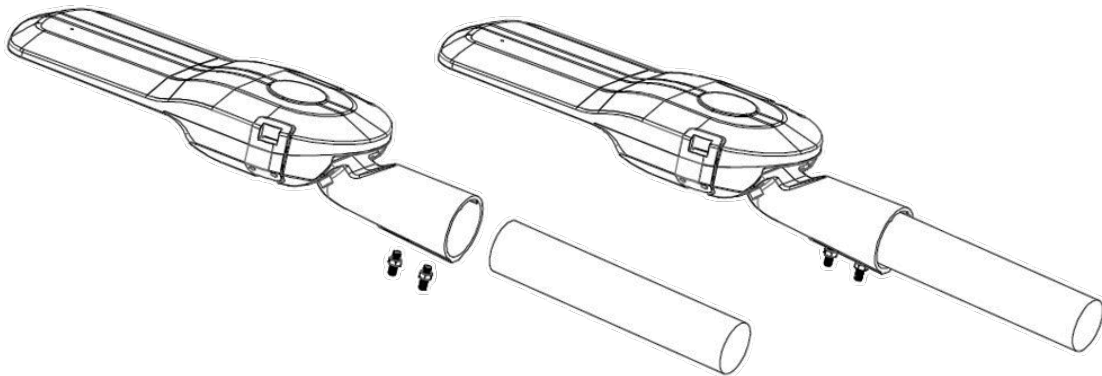


REV. LVN-02/08.2024

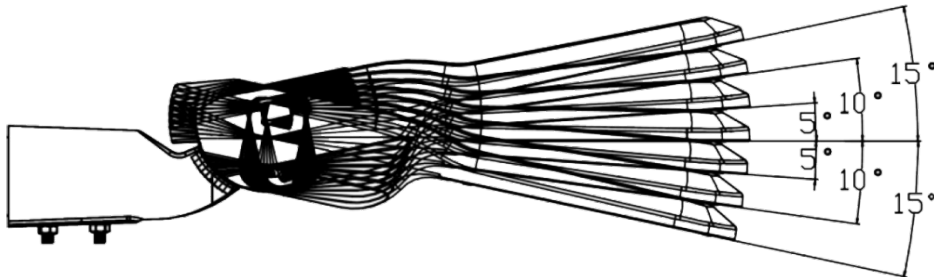
Mechanical Drawings:



Pole Arm Mounting Diameter 60mm.

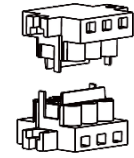


All dimensions are given in mm.



+/- 0°-5°-10°-15° Adjustable Vertical Angle.

Easy & Fast Maintenance and Control:



Knife Switch

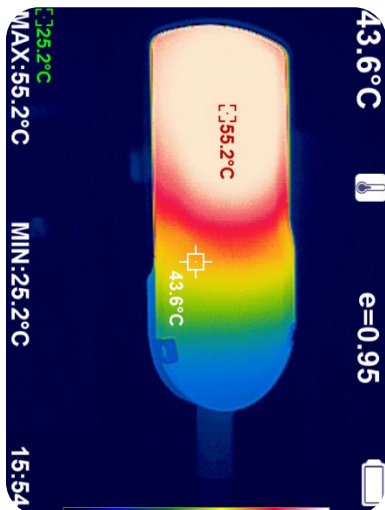
Anti-Humidity Valve



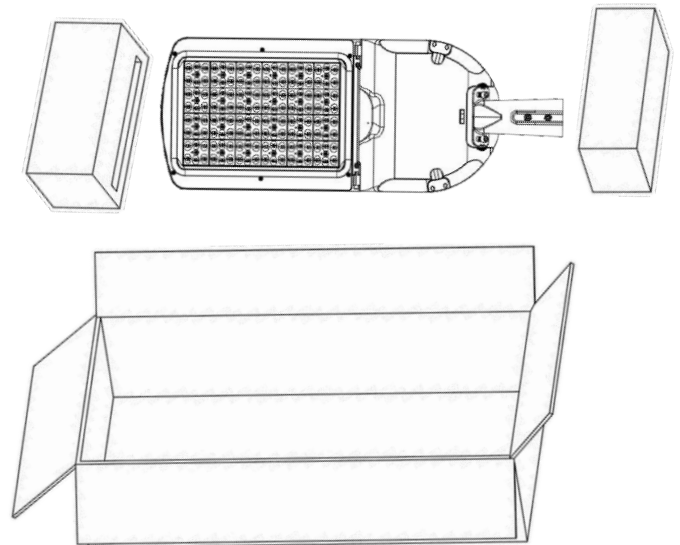
Build-in Spirit Level



THERMAL CAMERA :



PACKAGING:



Product Code	Pcs/Ctn	Net Weight	Gross Weight	Box Dimensions	20'GP	40'GP
LVN-96-SLXXXFLT	1	8,5 kg	9,6 kg	W355xL846xH150mm	622	1511

LAVIN

LIGHT INNOVATION FOR A GREEN FUTURE

Contact :

Letlucent Enerji Tasarrufu ve Akıllı Yönetim AŞ.



<https://www.lavinlight.com>



info@lavinlight.com



Phone : +90 312 267 05 03



A.S.O. 1. OSB Ahi Evran Mah. Anadolu Cad. No: 25/2
Sincan/ ANKARA /TÜRKİYE

