

# LAVIN

LIGHT INNOVATION FOR A GREEN FUTURE



## FLAT SERIES

**75 - 80W**

## LED Road & Street Lighting

Letlucent Enerji Tasarrufu ve  
Akıllı Yönetim AŞ.

A.S.O. 1. OSB Ahi Evran Mah.  
Anadolu Cad. No: 25/2  
Sincan/ ANKARA

E-mail : [info@lavinlight.com](mailto:info@lavinlight.com)

[www.lavinlight.com](http://www.lavinlight.com)

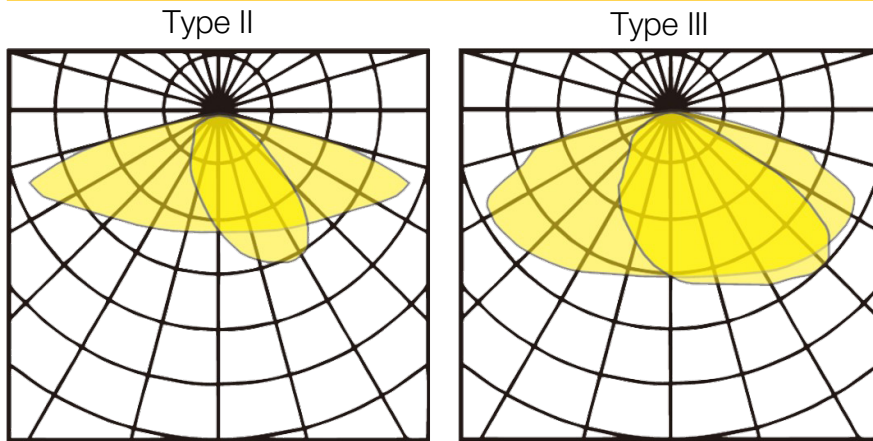
REV. LVN-02/08.2024



### General Features :

- Perfect Mold Design, Integrated Pressure Die-Casting Aluminum.
- Flat-Elegant Finless Design, Excellent Heat Dissipation.
- Snap-On Type Installation, Tool - Free Disassembly.
- Light/Energy High Efficiency.
- SDCM ( Standard Deviation Colour Matching ) <5.
- Beam Angle ; Standart IESNA Type II or Type III.
- NEMA & ZHAGA Socket Ready Optional.
- 1-10V / DALI / D4i / Light Sensor / Smart Timer Dimming.
- LED Driver Thermal Protection.
- Electostatic Powder Coating.
- Paint Code RALXXXX, which can change according to customer request.
- IK10 Aluminum Body.
- IK08 Tempered Glass.
- Build-in Spirit Level , Ease of Installation.
- Pressure Balancing Valve that creates Airflow to eliminate moisture inside.
- Optional 10kV External SPD.

**Photometric Lighting Curve :**



LM80 LM79 LM82
IP66 CLASS I Ta: 50°C BODY IK10 GLASS IK08
CE

**Technical Specifications :**

Product Code	LVN-36-SL75FLT	LVN-36-SL80FLT	LVN-54-SL80FLT
Body Material	Integrated Pressure Die-Casting Aluminium		
Power	75W	80W	80W
Input Voltage Range	100-277V AC 50/60Hz		
Power Factor	0,97	0,98	0,98
THD	<4%	<4%	<4%
Number of LED	36 High Power		54 High Power
Lumen	11271 Lm	11889 Lm	12805 Lm
Colour Temperature	2200-3000-4000-5000K		
Colour Rendering Index(CRI)	70 Ra / 80 Ra Optional		
LED (LM80) Life	L70B10@85°C > 102.000 Hours		
Operating Temperature	-30 / +50 °C		
Lighting Curve	Type II / Type III Asymmetric		
IP Class	IP 66		
Insulation Class	CLASS I		
Front Section	4mm Tempered Glass		
Arm Diameter	40 - 60 mm		
Vertical Adjust Angle	0° - 5° - 10° - 15° - 90°		
Weight	4,5 kg		
Product Dimensions	240 x 613 x 109 mm		
Warranty	3 / 5 years		

\* Lumen values are given for 4000K & CRI 70.

**Applications :**

- Roads and Street Lighting
- Highway Lighting
- Park & Garden Lighting
- Pedestrian Road Lighting
- Wide Area Lighting

**Standards:**

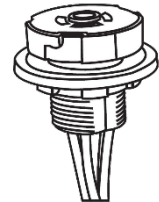
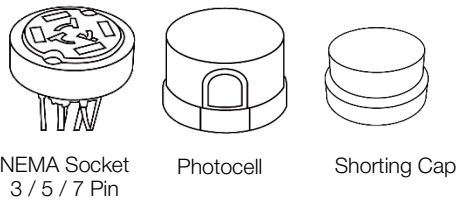
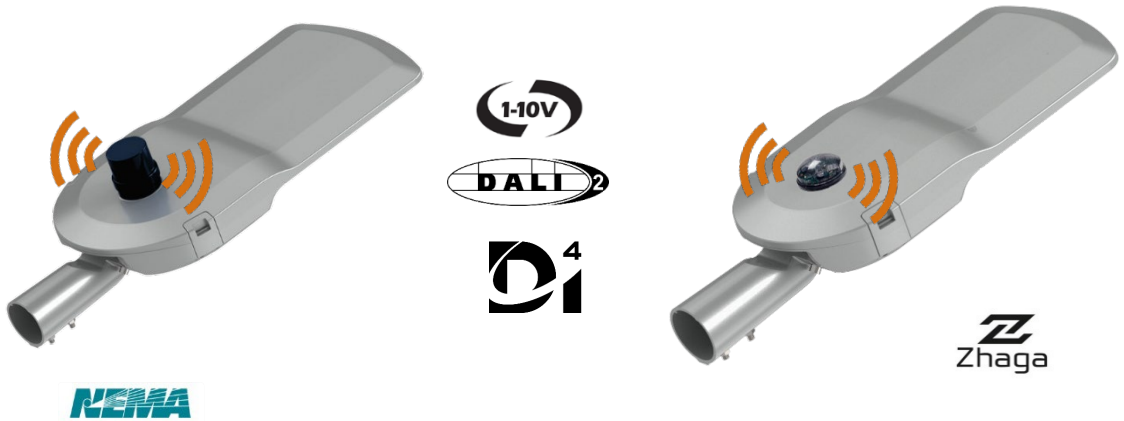
- ENEC
- CB
- EN 60598-1
- EN 60598-2-3
- EAC
- CE

**RAL 7035**

**RAL 7040**

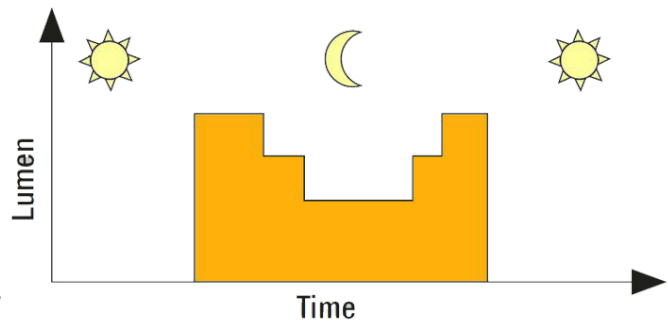
REV. LVN-02/08.2024

**Smart Solutions in FLAT Series READY**

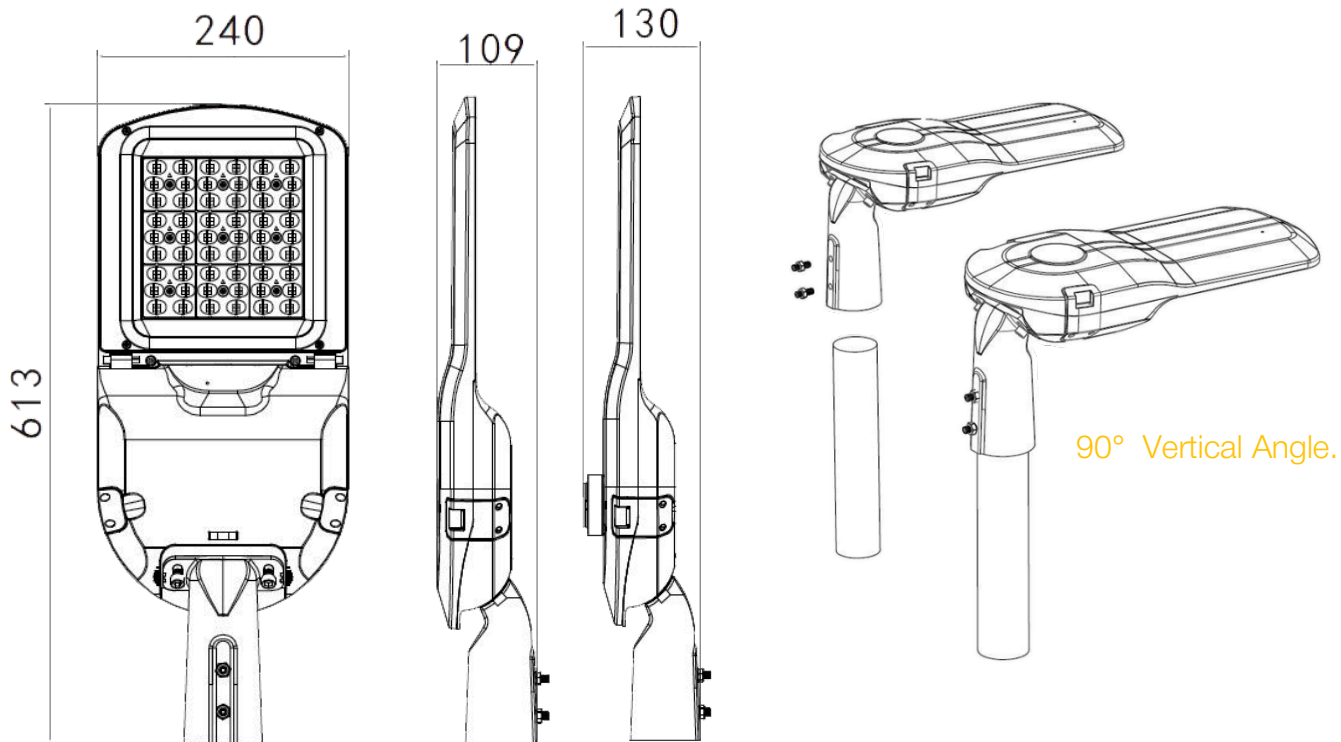


**Importance of Smart Solutions :**

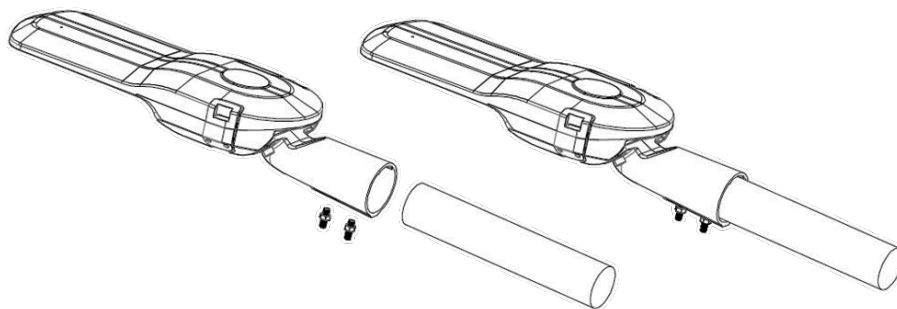
- Full Integration with Smart City Applications.
- Lighting Management from a Single Center.
- Street Lights Fast Failure Detection.
- Reduced Maintenance Costs.
- Reduced Energy Consumption.
- High Energy Savings Against Continuously Rising Energy Unit Prices.
- Performance and energy-consumption data at your fingertips.
- Reducing CO2 emissions .
- Greater citizen satisfaction with safe areas provided with lighting.



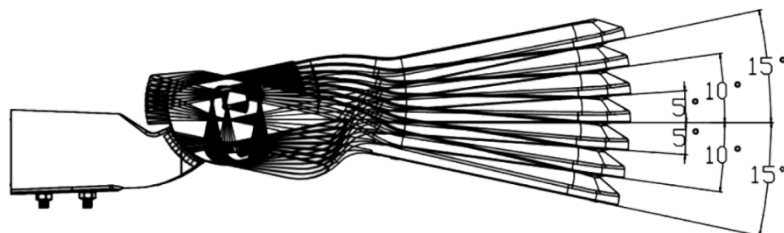
**Mechanical Drawings:**



Pole Arm Mounting Diameter 60mm.



All dimensions are given in mm.



+/- 0°-5°-10°-15° Adjustable Vertical Angle.

**Easy & Fast Maintenance and Control :**



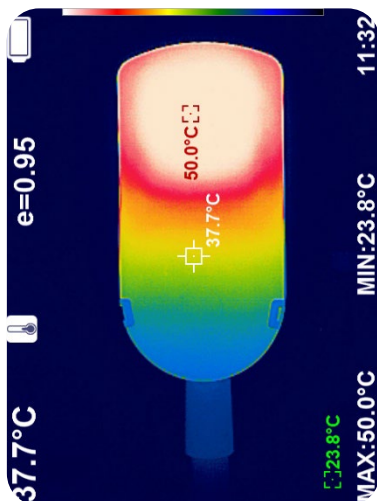
Anti-Humidity Valve



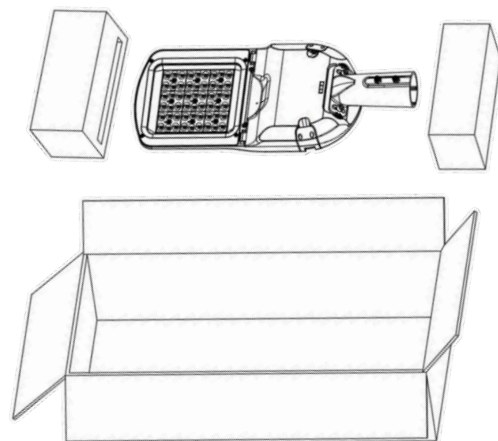
Build-in Spirit Level



**THERMAL CAMERA :**



**PACKAGING :**



Product Code	Pcs/Ctn	Net Weight	Gross Weight	Box Dimensions	20'GP	40'GP
LVN-36-SLXXXFLT	1	4,5 kg	5,1 kg	W295xL666xH150mm	965	2344
LVN-54-SLXXXFLT	1	4,7 kg	5,3 kg	W295xL666xH150mm	965	2344

# LAVIN

LIGHT INNOVATION FOR A GREEN FUTURE

## Contact :

### Letlucent Enerji Tasarrufu ve Akıllı Yönetim AŞ.



<https://www.lavinlight.com>



[info@lavinlight.com](mailto:info@lavinlight.com)



Phone : +90 312 267 05 03



A.S.O. 1. OSB Ahi Evran Mah. Anadolu Cad. No: 25/2  
Sincan/ ANKARA /TÜRKİYE

