



Itron 5/7-Pin External Networked Lighting Controller

Secure, proven, two-way lighting control for any deployment

The Itron 5/7-Pin External Networked Lighting Controller (NLC) is embedded with Itron communications and provides reliable, secure, two-way control and monitoring for outdoor street and area lighting. LED Luminaire life can easily be extended with the dimming control feature and in turn allow users to improve lumen output over time. These NLC's employ the patented Itron Relay Assisted Triac (RAT) switching technique, to reliably switch reactive lighting loads year after year. Used in conjunction with Itron's Industrial IoT (IIoT) network, customers can now easily add control to existing or upgraded lights, gaining access to a proven, resilient and scalable solution and application ecosystem across millions of network endpoints.

Itron NLCs are integrated with Itron communications and leverage Streetlight Vision (SLV) Central Management System (CMS) front end software, together providing the best-in-class solution for efficient luminaire operation. The robust network capabilities and use of open standards such as IPv6 allow the network to support additional smart city applications such as traffic-light control, parking automation and other networked sensors for enhanced living.

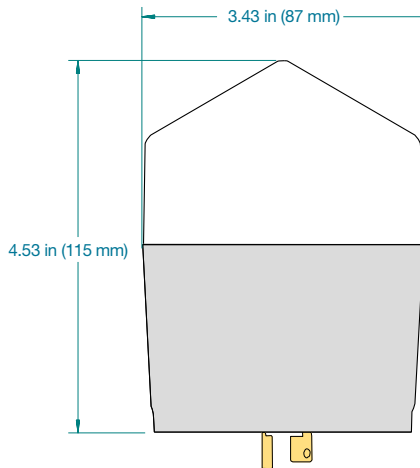
Itron's Smart Lighting solutions include multi-layer security policy enforcement and monitoring with end-to-end encryption (AES-128/256) and access control to

ensure protection of critical infrastructure and data. Deployment options include full product licensing or CMS as a service.

Key Benefits of the External NLC:

- » Proven quality and reliability with over 30 years of lighting control experience
- » Proven Itron networking technology— Over 67 million connected devices
- » Up to 65% energy savings when deployed in conjunction with LED lights
- » Up to 40% operational savings through control and monitoring
- » Robust multi-layer security with end-to-end encryption and full PKI (X.509) infrastructure
- » Redundant, auto-healing, auto configuring network using open standards such as IPv6 and IEEE 802.15.4g
- » Over-the-air configuration and firmware upgrades
- » Economic scalability from small pilots to metropolitan or country-wide deployments
- » Energy metrology up to 0.5% accuracy, with per day, per hour, or per minute records and robust utility billing integration
- » Infrared Meter Calibration Interface
- » Compatible when plugged into NEMA 5 & 7-pin sockets

ITRON 5/7-PIN EXTERNAL NLC. SECURE, PROVEN, TWO-WAY LIGHTING CONTROL



Technical Specifications

Metering Accuracy	0.5% Energy Accuracy per ANSI C136.50
Metering Range	105 – 305VAC, 10A RMS
Turn ON Light Level	16 or 35 Lux (1.5 or 3.25 fc), other levels available on request. Can also be set by schedule.
Housing Material	UV Stabilized Polycarbonate
Enclosure Sealing	IP66
Dimensions	H 115mm x D 87mm; Weight 267g
Switch Ratio (OFF:ON)	Typically 1.5:1; however, configurable to your requirements.
Warranty	10 years
Rated Load	1000W / 1800 VA
Maximum Load Current	10 Amps
Operating Voltage	105 – 305VAC (50/60Hz)
Operating Temperature Range	-40°C to +70° C (-40°F to +158°F)
Circuit Power Consumption	<2Watts Average Power @120 VAC
Tilt	Optional built-in Tilt Sensor
Manufacturing Standard	EN ISO 9001:2015
Photo Control designed to satisfy the following standards	BS5972, ANSI C136.10, ANSI C136.41, UL773/CSA C22.2, EMC EN55015, EN61547 EN61000-3-2, EN61000-3-3, EN61347
Compliance	RoHS, FCC, CE
Options for controlling LED driver for dimming	DALI, 0-10V, Universal Auto-Detect
GPS Sensor	Optional
Itron Networking Specification	Frequency- Hopping Spread Spectrum up to 300kb/s mesh networking Automatic data routing with self-configuration, auto-healing & redundant uplinks, IPv6 transport. Full application & link-layer security with full PKI, AES-128 and -256, and embedded firewall
MOV Protection	420J, 20kV/10kA; Exceeds Extreme Surge requirements of ANSI C136.10

To learn more visit itron.com

We create a more resourceful world

While Itron strives to make the content of its marketing materials as timely and accurate as possible, Itron makes no claims, promises, or guarantees about the accuracy, completeness, or adequacy of, and expressly disclaims liability for errors and omissions in, such materials. No warranty of any kind, implied, expressed, or statutory, including but not limited to the warranties of non-infringement of third party rights, title, merchantability, and fitness for a particular purpose, is given with respect to the content of these marketing materials. © Copyright 2024 Itron. All rights reserved. 101875SP-04 8.24



2111 North Molter Road
Liberty Lake, WA 99019 USA